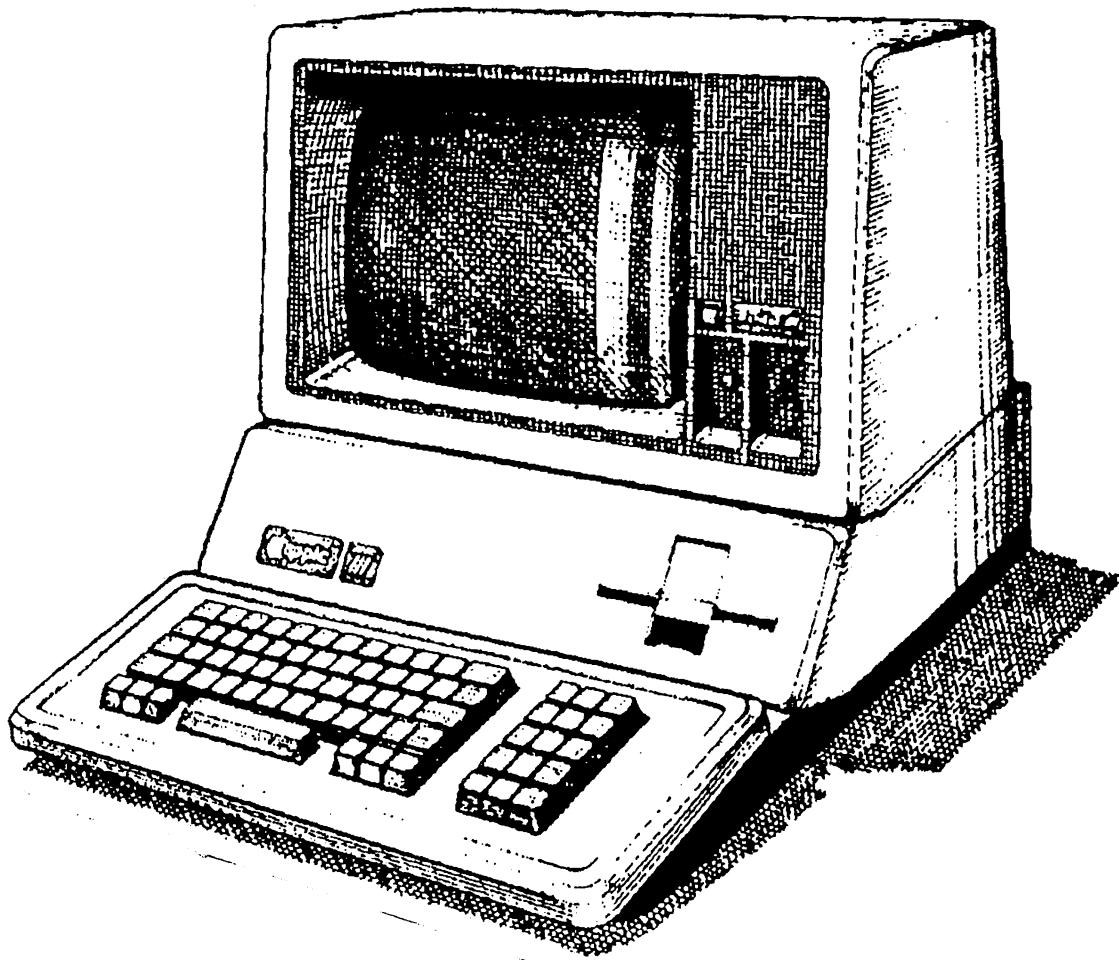




# Apple /// Computer Information



DOCUMENT NAME		#
APPLE EXTERNAL DISK DRIVE III TECHNICAL PROCEDURES (REPAIR INFO)	Feb. 1983	39

**Ex Libris David T. Craig**



*21 pages*

# Apple Service Manual

## **Apple External Disk Drive /// Technical Procedures**

Ex Libris David T. Craig



**TECHNICAL PROCEDURES**  
**EXTERNAL DISK DRIVE ///**  
**TAKE-APART AND ADJUSTMENTS**

**Contents**

**DISASSEMBLING EXTERNAL DISK DRIVE ///**

Introduction.....3  
Removing the Cover.....5  
Removing the Ribbon Cable.....5  
Removing the Analog Card.....7

**ADJUSTING EXTERNAL DISK DRIVE ///**

Diskette Stop Guide Adjustment.....9  
Replacing/Adjusting the Drive Door.....11  
Replacing the Collet Hub.....13  
Replacing the Load Head Button.....13  
Adjusting the Speed -- the D-Speed Test.....15  
Write Protect Switch Adjustment.....17

**ASSEMBLING EXTERNAL DISK DRIVE ///**

Replacing the Analog Card.....19  
Replacing the Ribbon Cable.....19  
Replacing the Cover.....20

**DISASSEMBLY/ASSEMBLY CHECKLIST.....21**

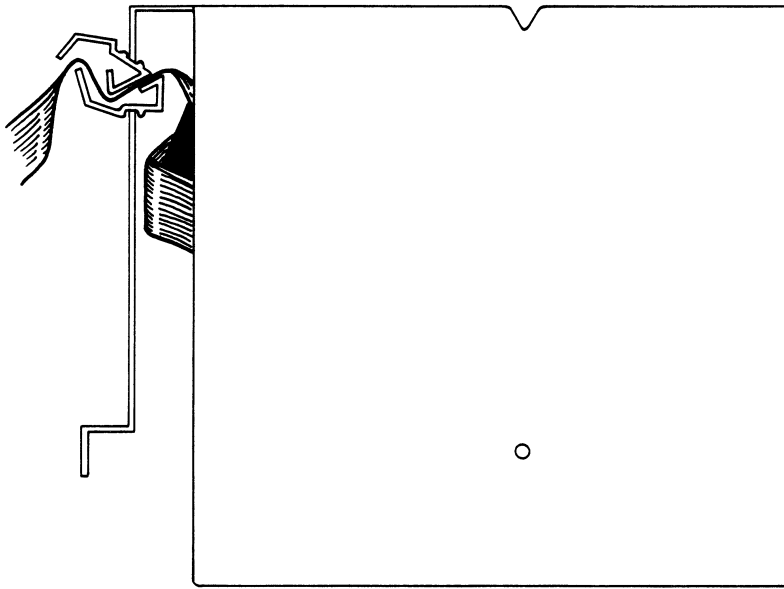


#### A. INTRODUCTION

When data cannot be written to or read from a diskette in the external drive, it may mean that the drive needs adjustment. This module describes how to disassemble and adjust the drive and gives you the opportunity to practice the procedures involved. At the end of the job aid is a Disassembly/Assembly Checklist for the external Disk Drive /// (Disk ///).

The Disk /// is disassembled in three phases: first the cover, then the metal shield and ribbon cable, and finally the analog card. Assembly is just the reverse. After you disassemble the Disk ///, you will adjust or replace several parts, including Guide, Collet Hub, Head Load Button, the D-Speed and Write Protect switch. These procedures are the same as for the Disk ][.

 **apple computer inc.**



**FIGURE 1**



#### B. REMOVING THE COVER

1. Turn the power off on the Apple ///.
2. Unplug the external disk drive from the rear connector of the Apple ///. Be sure to check if there are any screws securing the connector before pulling on it. Pull by the connector rather than by the cable.
3. Unplug any other daisy-chained drives from the rear panel of the drive to be disassembled.
4. Close the disk door on front of disk drive unit.
5. Turn the drive over with the bottom-side up and remove the four Phillips screws.
6. Lift the bottom cover up from the rear and remove it. Turn the unit top side up.
7. Remove the single Phillips screw from the back panel.
8. Holding on the bottom front of the top cover, pull the cover slightly forward and up until it clears the interior parts of the drive. Set cover aside.

#### C. REMOVING THE RIBBON CABLE

9. Remove the four Phillips screws holding the metal shield to the drive chassis.
10. Remove the flat cable from the back of the drive by pressing the strain relief (Figure 1) out of the slot and removing the cable. Slip a screwdriver inside the metal shield and pry down on the strain relief while simultaneously pulling down and out from outside. Be sure not to crush the cable when prying the strain relief. (Large pliers can be used to compress the strain relief enough to separate it from the mounting bracket.) The relief will come apart in two pieces. The strain relief can be a real bear, so be persistent!
11. Slide the metal shield cover back and off the drive, being careful not to pull on the cable as it is still connected to the analog card.

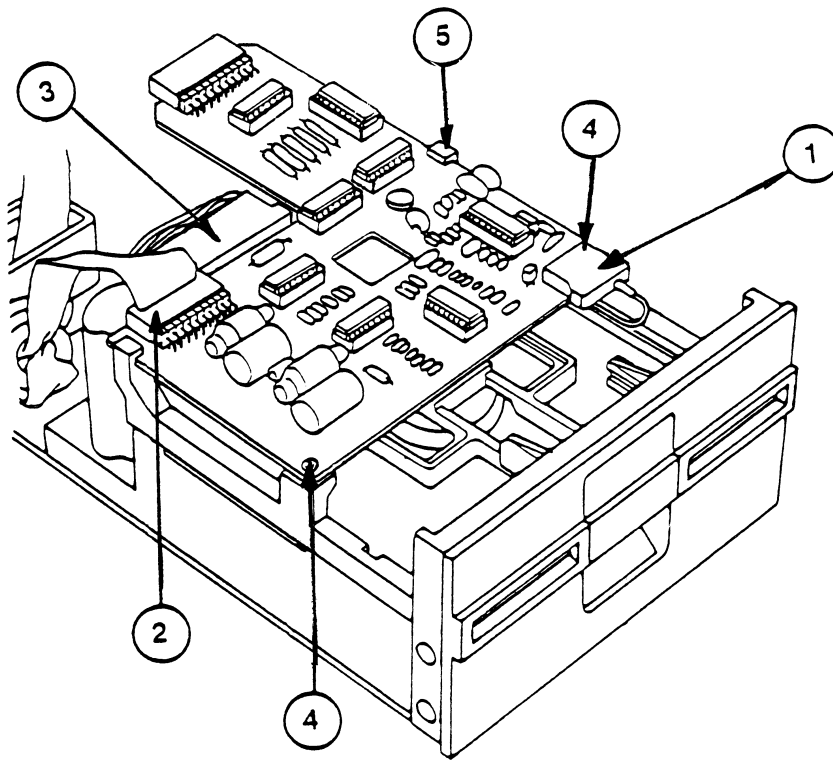


FIGURE 2

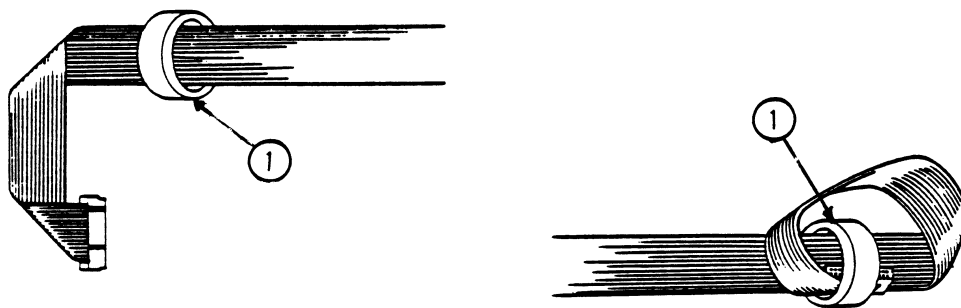


FIGURE 3



12. Lift up on the connector retainer of the board plug (Figure 2,#3) and remove the plug.
13. Remove the ribbon cable connector from the analog card (Figure 2,#2). It might be fastened very securely, so grasp the connector and pull back firmly until it disconnects. It may help to wiggle it gently back and forth as you pull back, but be careful not to bend the connector pins.
14. When replacing the ribbon cable, twist the cable connector slightly, push it through the toroids and remove the toroids from the cable (Figure 3,#1).

#### **D. REMOVING THE ANALOG CARD**

15. Remove head molex plug from front of analog card (Figure 2,#1).
16. Remove the two screws at the front of the analog card (Figure 2,#4).
17. Slide analog card forward past the retaining slots at the rear and then lift out (Figure 2,#5).



 **apple computer inc.**

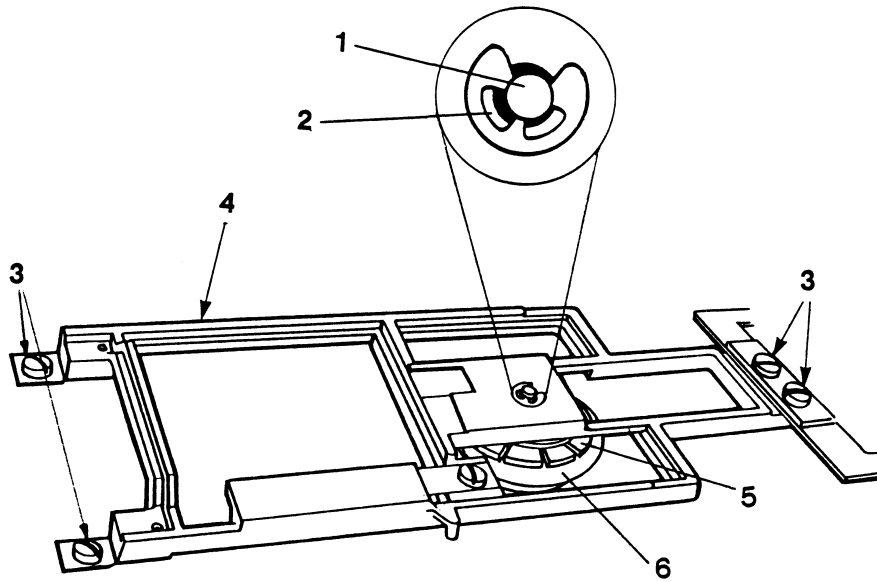


FIGURE 4

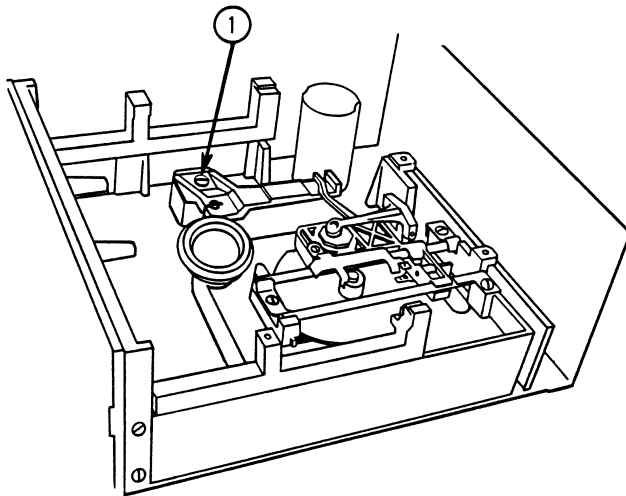


FIGURE 5

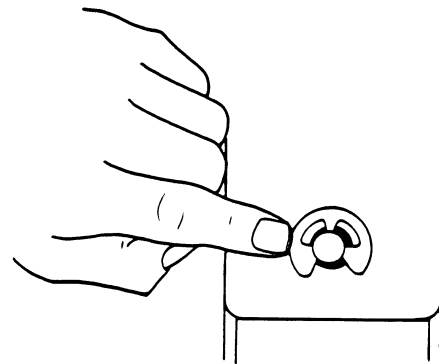


FIGURE 6



#### E. DISKETTE STOP GUIDE ADJUSTMENT

**NOTE:** It is almost never necessary to adjust the diskette stop guide. In fact, on some models the diskette stop guide (a black plastic gadget) has been eliminated and the stop is a part of the casting itself. Still, they get tinkered with, and when they are out of adjustment, the diskette can be so far off-center that the collet hub can't find center as it seats. This damages the diskette.

1. With the Disk Adjustment Tool centered, observe the Collect Hub (Figure 4,#5).
2. If tool cannot center properly because stop guide is too far forward, loosen stop guide mounting screw (Figure 5,#1), accessible through small round hole on left side of the tool, and allow guide to move back.
3. Center tool correctly and gently close the drive door.
4. Adjust stop guide so that it touches tool, then tighten mounting screw.
5. To adjust the Collet Hub look straight down on collet shaft, (Figure 4, #1) and close door. Check to see that shaft is centered.
6. Open and close door again, to see that the collet hub moves cleanly into the center of its receptacle.
7. Loosen four screws--two on back of bracket and two that hold bracket to door (Figure 4,#3).
8. Close door, ensuring that collet hub (Figure 4,#5) is seated in its receptacle (Figure 4,#6).
9. Looking straight down on collet shaft, move bracket around until shaft is centered in hole (Figure 4,#2).
10. Tighten rear screws.
11. Check by repeating STEPS 6 and 7.
12. As a further check, open the door and then push collet shaft off-center, (Figure 6), close and open door a few time, making sure that shaft reseats itself in the center of the hole.
13. Adjust the drive door if necessary (procedure follows).

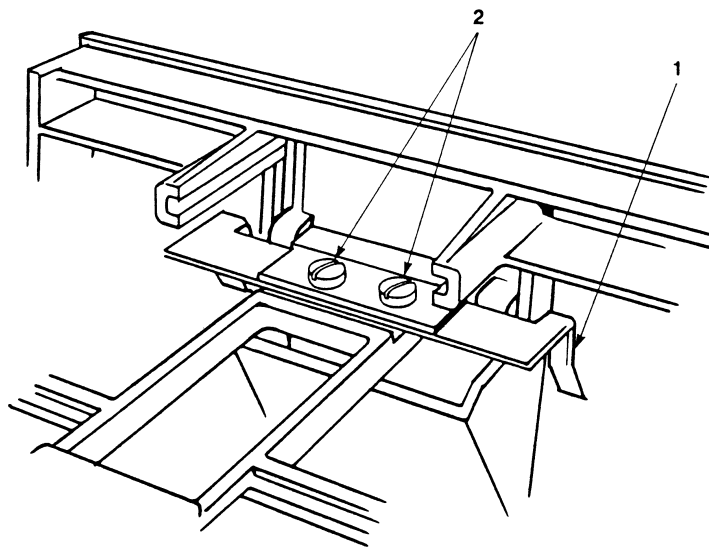


FIGURE 7



**F. REPLACING AND ADJUSTING THE DRIVE DOOR**

1. Remove two screws on each side of the front bezel (front panel) of the unit.
2. Tilt the bezel forward.
3. Remove the two screws holding the door in place and remove the door assembly.
4. Set the new door in place noting the position of the door guides (Figure 7,#1) and snug the screw to hold it in place.
5. Replace the bezel and hold it in place.
6. Insert Adjustment Tool into the drive and allow it to center properly.
7. While gently closing the drive door, observe the two guide bars (Figure 7,#1), which are visible when viewed from the back of the drive looking towards the front. There should be no binding between the guides and tool.
8. If there is binding, or if the door is crooked, tilt the bezel forward just enough to be able to loosen the two screws that hold the door in place. Make sure the two plastic protrusions on the top of the door fit into the two plastic guides on the bezel and that the door looks centered.
9. With the bezel tilted forward, tighten the two screws to hold the door into position.
10. Put the bezel into its normal position and replace the four screws to hold it.

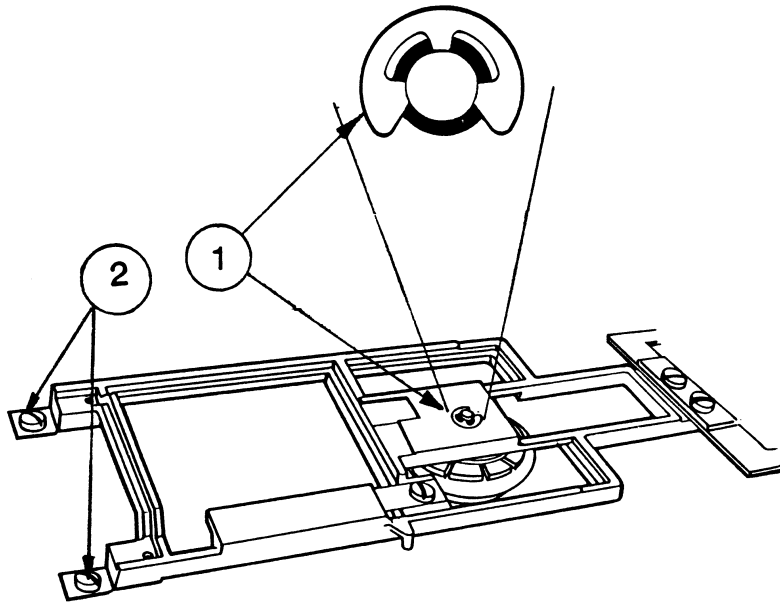


FIGURE 8

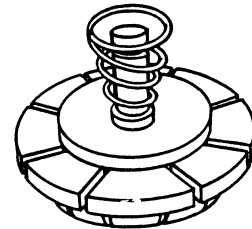


FIGURE 9

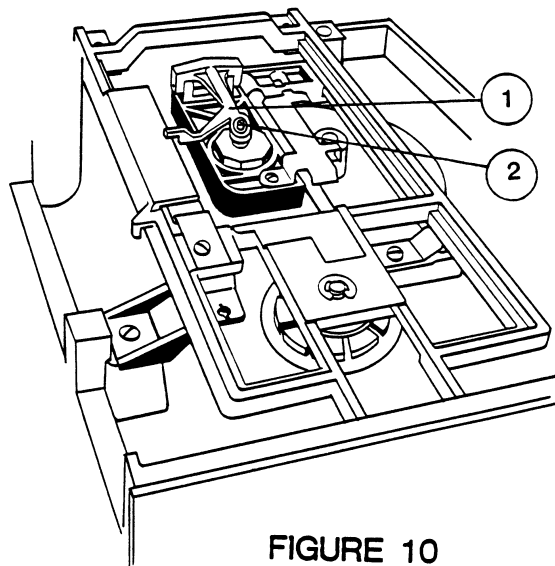


FIGURE 10



#### G. REPLACING THE COLLET HUB

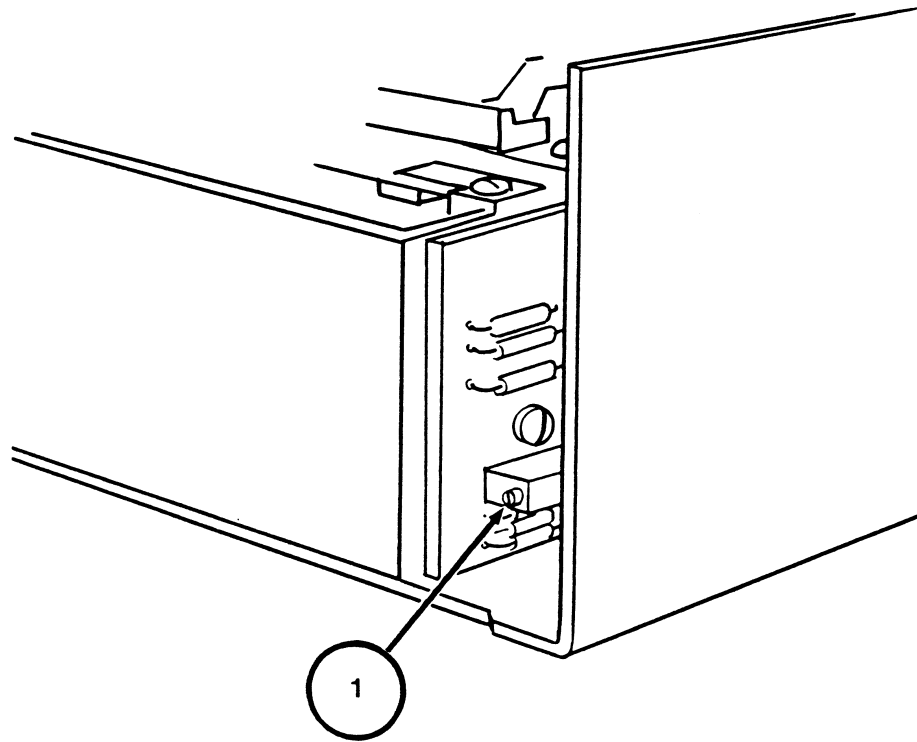
1. Open the drive door.
2. Remove the two screws at the rear of the assembly (Figure 8,#2) that hold the bracket in place and remove it.
3. With a screwdriver pry the retaining clip (Figure 8) from the shaft holding the collet.
4. Remove the collet hub assembly and retain the spring and washer (Figure 9). Remove spring carefully, taking care not to stretch it.
5. Place the washer and spring on the new collet shaft--the spring goes on small end down--and insert into the mounting arm.
6. Install the retaining clip.
7. Set the bracket into position (Figure 8), making sure the two plastic protrusions on the top of the door slide into the guides on the bezel.
8. Push down on the collet hub to make sure it is centered, then secure the two screws to hold the bracket in place (Figure 8,#2).

#### H. REPLACING THE HEAD LOAD BUTTON

**NOTE:** Some Head Load Buttons are glued. If the glue cannot be broken, sent the unit to Level 2 for servicing.

1. Lift the Head Load Arm up (Figure 10,#1) and squeeze the top part of the load button (Figure 10,#2) with thin needle-nose pliers and drop button down.
2. Install a new load button by inserting it into the holder and pushing up until it snaps in place.

 apple computer inc.



**FIGURE 11**



#### I. ADJUSTING THE SPEED -- THE D-SPEED TEST

1. Check that the power to the Apple /// is off.
2. Place the Apple ][ Emulation diskette in the internal drive (assuming it is working properly) and boot it up by turning the power on.
3. To the prompt "Boot Apple ][ Disk", place the Disk Alignment Aid diskette in the internal drive and hit return.
4. When the menu comes up, SET TARGET DISK will be highlighted. Accept it by pressing **A**.
5. Set target for drive 6, slot 2, by pressing **SAA**. Press **ESC**.
6. Select **DSPEED** test (press **SSSA**).
7. The screen will warn you that the test will write on the diskette. Put your scratch (or a blank formatted) diskette in the target drive and press **A** again.

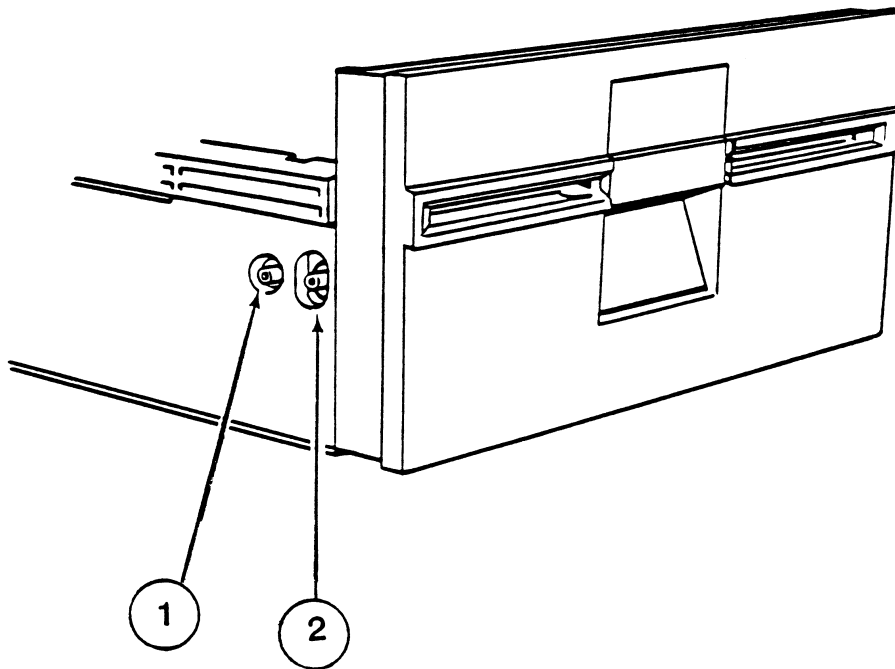
**NOTE:** At this point, the screen should show a scale with -100 on the left and +100 on the right, with a marker indicating the relative speed of the drive.

8. Look at the back of the drive mechanism. Locate the Motor Control Card, mounted on the edge, and note the small grey helipot with a screwdriver adjustment on the side (Figure 11,#1).

**NOTE:** Do not confuse this with the helipot(s) on the analog card!

9. With a small flatblade screwdriver adjust the helipot and note how the indicator on the screen moves back and forth, showing changes of speed.
10. Set the speed so that it indicates between -5 and 0.





**FIGURE 12**



**J. WRITE PROTECT SWITCH ADJUSTMENT**

1. Using the same set-up you had for the previous exercise, select WRT PROTECT SWITCH.
2. Note the two setscrews holding the write-protect switch in place (Figure 12,#1 & 2). The switch is located on front left side of housing as you face drive door. The far setscrew, (Figure 12,#1), forms a pivot for switch; the near setscrew (Figure 12,#2), sets switch position.
3. Insert Disk-Adjustment Tool all the way and leave the disk drive door open.

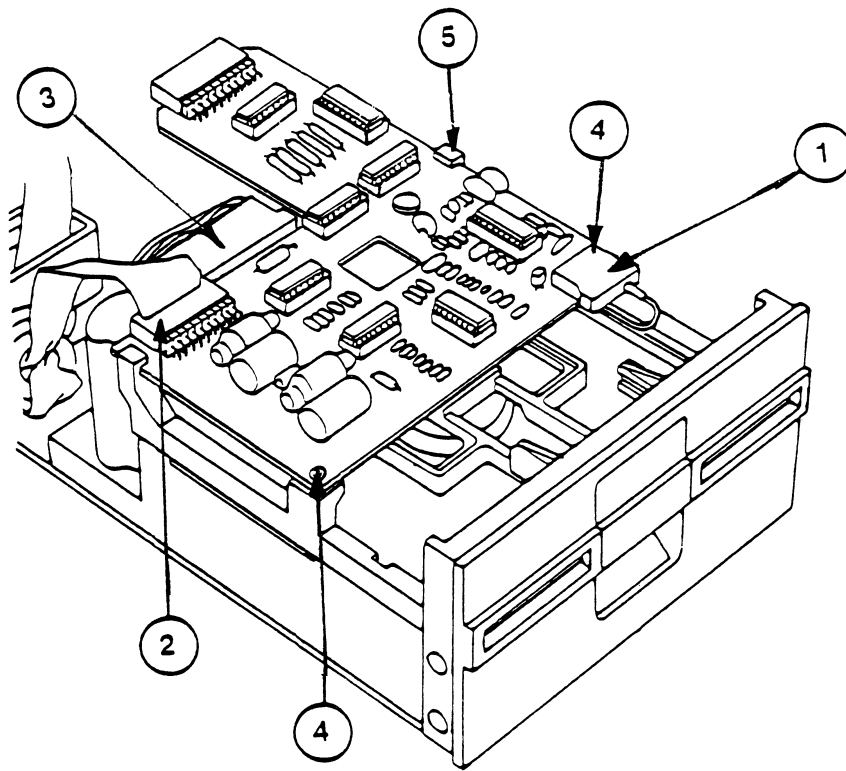
**NOTE:** Some drives will scrape on the adjustment tool. If you have one that does, use a diskette instead of the tool.

4. Loosen the rear setscrew, then loosen the front setscrew and raise up on it (Figure 12,#2) until the switch disables, and tighten setscrew.
5. Tighten rear setscrew (Figure 12,#1).
6. Check by withdrawing Adjustment Tool to the Slot 1 position. Switch should be enabled.

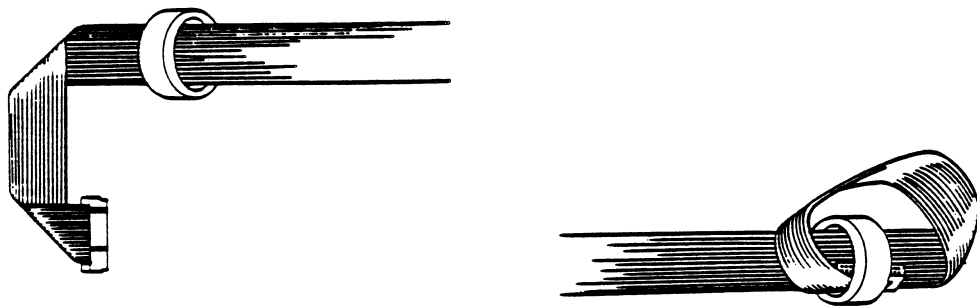
**NOTE:** If switch continues to show a disabled condition, reboot and try the procedure again.

7. Verify again, using Adjustment Tool in both Slot 1 and Slot 2 positions.

 **apple computer inc.**



**FIGURE 13**



**FIGURE 14**



#### ASSEMBLING Disk ///

##### K. REPLACING THE ANALOG CARD

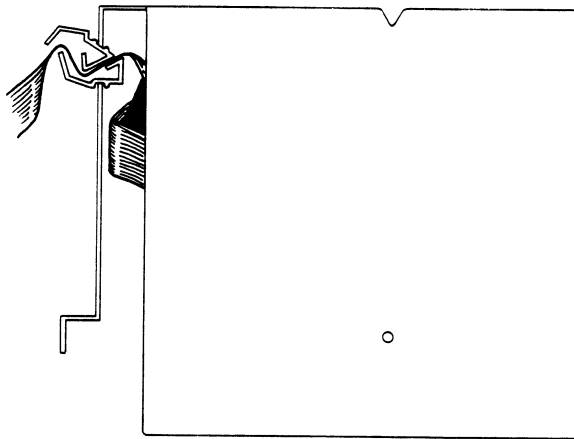
1. Slide the analog card through the retaining slots (Figure 13,#5) and into position.
2. Replace two screws to hold board in place (Figure 13,#4).
3. Attach the head molex plug to the front of the analog card (Figure 13,#1). Ensure that there is just enough loop in the cable so that it doesn't pull down on the head molex plug.

##### L. REPLACING THE RIBBON CABLE

4. Place the two toroids onto one end of the replacement cable looping the cable through the toroids and leaving about 3 inches of cable between the toroids and the connector (Figure 14).
5. Place the cable just above the toroids into the nylon cable holder and snap the holder shut.
6. Attach the ribbon cable connector to the analog card, making sure that both rows of pins align with the holes in the connector (Figure 13,#2).
7. Attach the analog card board plug at the end of the analog card (Figure 13,#3). The gripper of the retainer will slip into the hole when it is in place.



8. Replace the strain relief guard at the back of the metal shield. Fit the guard as close as possible to the toroid while leaving yourself enough cable to work with. Make an "S" in the cable right next to the metal shield. Fit the bottom portion of the "S" into the one part of the strain relief with the triangle side fitting inside the metal shield. The other part of the strain relief fits with the triangle against the cable and into the lower portion of the strain relief. The top part then slips inside the metal shield (Figure 15).
9. Replace the four screws on the side of the metal shield.



**FIGURE 15**

#### **M. REPLACING THE COVER**

10. Replace the top cover. With the unit top side up, set cover over back edge of Disk /// then pull the cover slightly forward as you slide it down over the disk drive door.
11. Replace the single Phillips screw on the back panel.
12. Turn the drive over and replace the bottom cover.
13. Replace four Phillips screws and turn drive top side up.
14. Reconnect any daisy-chained drive on the rear panel of Disk ///.
15. Reconnect Disk /// on the rear panel of the Apple ///.



#### N. DISASSEMBLY/ASSEMBLY CHECKLIST

##### Disassembly Procedures

- \_\_\_ 1. Turn the Apple ///'s power off.
- \_\_\_ 2. Unplug the disk drive from the rear connector of the Apple ///.
- \_\_\_ 3. Unplug any other daisy-chained drives from the rear panel of the drive to be repaired.
- \_\_\_ 4. Remove disk drive cover.
- \_\_\_ 5. Remove strain relief.
- \_\_\_ 6. Remove metal shield.
- \_\_\_ 7. Disconnect head molex plug, board plug and ribbon cable connector from the analog card.
- \_\_\_ 8. Remove analog card.

##### Adjustments

- \_\_\_ 1. Replace/Adjust disk drive door.
- \_\_\_ 2. Adjust diskette stop guide.
- \_\_\_ 3. Replace collet hub.
- \_\_\_ 4. Replace head load button.
- \_\_\_ 5. Adjust the speed.
- \_\_\_ 6. Adjust write protect switch.

##### Assembly Procedures

- \_\_\_ 1. Replace analog card.
- \_\_\_ 2. Connect head molex plug, board plug, and ribbon cable connector on the analog card.
- \_\_\_ 3. Replace metal shield.
- \_\_\_ 4. Replace strain relief.
- \_\_\_ 5. Replace disk drive cover.
- \_\_\_ 6. Connect any daisy-chained drives to the rear panel of the drive.
- \_\_\_ 7. Connect the disk drive to the rear connector of the Apple ///.

*FINIS*