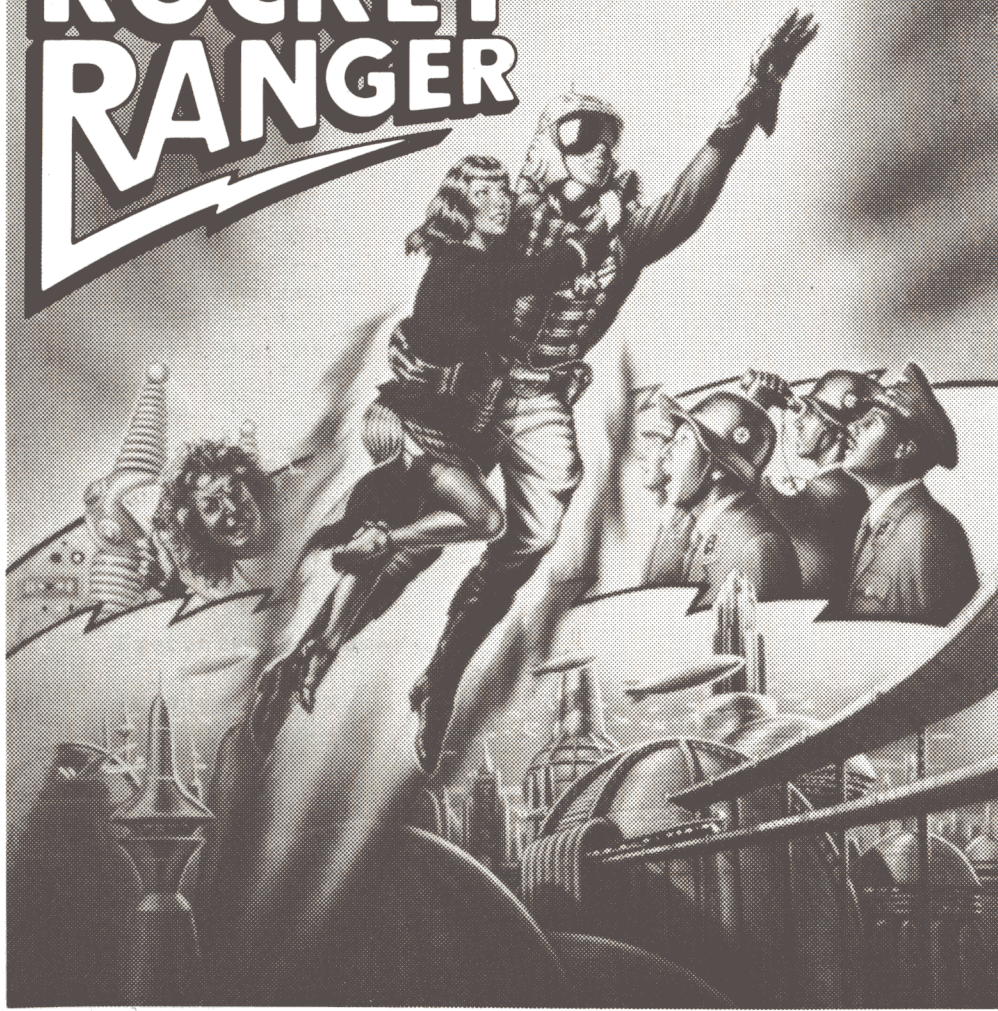


CINEMAWARE

ROCKET RANGER™



CINEMAWARE

PRESENTS

ROCKET RANGER™

Computography..... PETER KAMINSKI
TOM McWILLIAMS
Additional Computography..... RANDY PLATT
Storyline..... ROBERT JACOB
Art Direction..... ROB LANDEROS
Chief Graphic Artist..... JEFF HILBERS
Additional Artwork..... BETSY SCAFATI
KARA BLOHM
STEVE QUINN
JEFF GODFREY
Original Score..... BOB LINDSTROM
Audio Effects..... BILL WILLIAMS
LARRY GARNER
Voice Characterizations ROB LANDEROS
MELANIE CUTTER
RANDY PLATT
Executive Producers..... PHYLLIS JACOB
ROBERT JACOB
Producer..... JOHN CUTTER
Designer..... KELLYN BECK

SPECIAL THANKS to Patrick Cook, Allen McPheeters,
Eric Pobirs, Wayne Brockman, Russell Truelove,
Kirt Nystrom, Larry Weissenborn,
Monica Mead, Norma Leith,
Annette Childs

Copyright© 1988 Cinemaware Corporation. All rights reserved.
ROCKET RANGER™ is a trademark of Cinemaware Corporation.

28 DECEMBER 2040

DO NOT THROW THIS MANUAL AWAY! READ IT CAREFULLY! GOOD MEN HAVE RISKED THEIR LIVES TO SEND THIS MATERIAL TO YOU:

One hundred years ago, in 1940, the Nazis won World War II. It was a horrible mistake, a cosmic error that has plunged our world into a century-long nightmare of fascist terror. But you are going to change history. With our help you will prevent the Nazis from winning the war. You will end this nightmare before it begins.

We, an underground group of freedom loving scientists, sent the objects that have just appeared in your laboratory. If the coordinates on our time machine were set properly, it is now May, 1940. Please examine these objects closely. Nothing like them exists in your time. The large device is a rocket pack and the smaller objects are a decoder wheel, radium pistol and wrist monitor. We have included instructions on their use in this manual. These tools give you the power to change history.

We, your children, beg you to help us.

After the Nazis won the war, Hitler's Third Reich established a world government run by the Fuhrer's fascist puppets, an empire of evil dominating the entire earth. The members of our group are scientists forced to work at a Nazi weapons research facility located at the place you called Fort Dix, New Jersey. But it bears little resemblance to the New Jersey you know in 1940.

We live and work as virtual prisoners, developing new weapons for the Nazi conquest of space. Our loved ones are held in the Reich's "Permanent Vacation" camps, allowed to live only as long as we continue our obscene research. The building housing our laboratories occupies the site of your laboratory; so we are in the same physical space, although we exist in different times.

One of our projects is an experimental time machine. We have not yet perfected human time travel and we cannot send objects through space. But we can project inanimate objects through time. In the physical sense, the objects we sent you did not move—we simply altered the time-plane of their molecular structure.

Our Nazi masters are about to discover that the time machine works. This, then, is our only chance to attempt contact with the past—if the Nazis discover that we have used the machine, our lives are forfeit.

In the year 2040, no power is great enough to resist the Reich; but in your time, there is a chance. We believe that one man, armed with the right tools and advance warning of coming events can stop them. Though the Nazis have rewritten history to justify their perverted doctrines, we have uncovered proof that they should not have been able to win the war. We've learned that the country you call the United States was the world's strongest industrial power. With enough time to marshal her resources, the United States and her allies would have defeated the Nazis.

But in 1940 the balance of power suddenly shifted. German technology leaped ahead several decades, perhaps through the discovery of lunarium, and the Nazis won the war before America could intervene. According to legend, the Nazis attacked in zeppelins that flew in the stratosphere, so high that even the newest American fighter planes could not reach them. There was no defense against the power of these Death Ships. Entire nations were conquered from the air by the Nazi zeppelin fleet.

We know that the Germans had several key bases in different parts of the world. Your mission is to find these bases, use the rocket pack and radium pistol to penetrate their defenses, and destroy their sources of power.

You were not randomly chosen to lead this mission. You were selected from an old personnel roster, after we discovered that you attended school with the daughter of Otto Barnstorff. Barnstorff, America's top scientist, was somehow linked to the source of the Nazis' power. From an old family diary, we have learned that the Nazis will soon kidnap Barnstorff and his daughter Jane and send them to Germany in a zeppelin. Use the wrist monitor to track their movements, and use the rocket pack to save them. It has a full load of lunarium fuel; you may be able to steal more from the Nazis....

So we place our fate in your hands. We cannot predict how your actions will affect the future—in fact, our own lives may no longer exist in the altered world that results. But we see no other way to stop this Thousand Year Blight, and it must be stopped.

We have given you the power to change history. My God! The Gestapo is at the door...goodbye and good luck!



Gebrauchsanweisung
Handbuch

*For use only by Party members in good standing
under penalty of death.*

This manual
and the objects
described herein were
acquired at the
expense of many
lives. USE it wisely
and well.

HIMMELWURFER ROCKET PACK Model M2000

OPERATING INSTRUCTIONS

Congratulations! You have been allowed to purchase a Himmelwurfer, the Reich's most reliable rocket pack since 2025. This manual contains important information about your rocket pack's safe operation and maintenance. Reichlaw Number 52237-2 requires you to read these instructions carefully, familiarizing yourself with the controls described in order to make your flights trouble-free and enjoyable, under penalty of death.

BREAK-IN PERIOD

During the first 3,000 kilometers of flying, avoid cruising for extended periods at a constant speed. This break-in procedure also applies to exchanged or refitted engines. During and after the break-in period, be sure to fly the rocket pack at moderate speeds until the engine is warmed up. Remember, your Himmelwurfer Dealer knows your pack best. Consult him for factory-approved service assistance, under penalty of death.

HARNESS PRECAUTIONS

Your harness is a one-piece combination harness with an emergency release designed to unlock easily in the event of a water landing. Before buckling, adjust the rocket pack to a comfortable position; stand erect and allow the pack to settle naturally onto your shoulders.

- * Comfort clips sold on the black market are not recommended since they could impair the function and safety of the harness. Note that use of these clips is a capital offense.
 - * Never attempt to buckle more than one person into the harness. This practice will lead to your immediate arrest and imprisonment in the Lithuania Permanent Vacation Camp.
 - * All parts of the harness should be regularly inspected for fraying, loosening, wear and other damage. In accordance with Reichlaw Number 43368-7, treatment for injuries caused by latch or retractor failure can be withheld.
-

PARACHUTE CARE

Your emergency parachute is designed for safe descents with a maximum load of 150 kilograms. Maintenance of the parachute is not required under Reichlaw, but it should be repacked and maintained regularly to insure safe operation. The release pull is located on the left side of the rocket pack. To release the emergency parachute, pull down on the lever.

Replace the emergency parachute if:

- * The fabric appears frayed, damaged or worn.
- * Any holes or tears appear in the fabric.
- * Its condition is questionable.
- * It fails to open.

IMPORTANT SAFEGUARDS

- * When flying at high altitudes be sure to wear a Himmelwurfer Climatizer Flightsuit, available only to Party Members in good standing. Cold temperatures and thin atmosphere make high altitude flight extremely hazardous. Also note that this is punishable by death.
- * Although your M2000 model rocket pack is rated for transoceanic flights, specialized advanced training is recommended before undertaking long flights over water. Names of unauthorized persons attempting transoceanic flights will be turned over to Permanent Vacation Squad.

GUIDANCE SYSTEM

Your Himmelwurfer rocket pack is equipped with an automatic guidance system allowing easy navigation between all major regions of Europe, Africa, North America and South America. To use your SECRET DECODER WHEEL, simply enter the code for your destination and your Himmelwurfer will automatically fly the most direct route at a comfortable altitude.

If desired, your Himmelwurfer's guidance system can be connected to other aircraft. Simply use the built-in retracting interface cable to connect the pack to the aircraft's control unit. The guidance system can then be used to guide the aircraft to any participating Reichport as well as to approved planetary destinations in the Solar System.

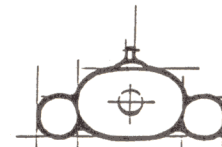
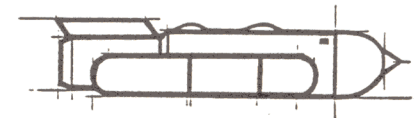
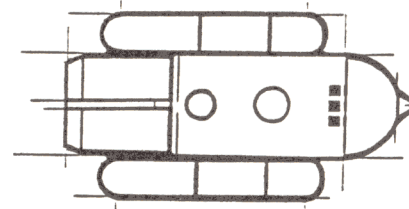
LUNARIUM SAFETY

The Himmelwurfer M2000 is designed to use lunarium fuel, available at your nearest Reichmart Filling Station at prices established by the Party's Fair Pricing Commission. The prices are fair. You will like them. Due to the known hazards involved in handling lunarium, always have a factory-trained, female Reichmart attendant refuel your rocket pack, under penalty of death.

- * Contact with lunarium will cause sterility and loss of intelligence in males. Females are unaffected.
- * If lunarium is ingested internally, victim will begin glowing. Do not touch victim. Call the nearest hospital or Body Disposal Squad immediately.
- * We hope you enjoy the convenience of safe, clean lunarium fuel.

OUR WARRANTY

At a Fair Party Price, Himmelwurfer will repair or replace any factory-installed part that is defective in material or workmanship under normal use. Normal use excludes any use that is punishable by death. This warranty begins on the date the rocket pack is sold to the first retail purchaser. The rocket pack is covered for 20 years or 20 kilometers, whichever comes first. Thank you for choosing Himmelwurfer, and Heil Hitler!



HIMMELWURFER
ROCKET PACK
Model M2000

SCHMEISSER RADIUM PISTOL

AUTHORIZED USE

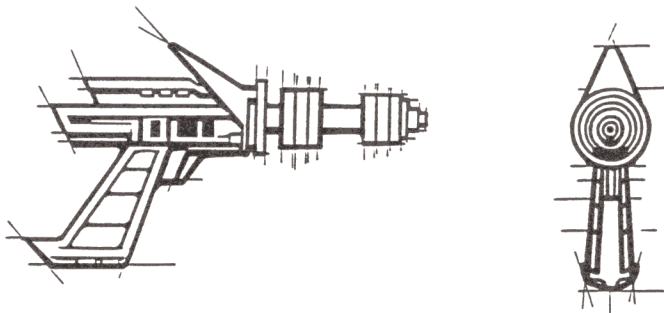
The Schmeisser Radium Pistol is the official hand weapon of the Waffen SS, and is authorized for use only by Party Members in good standing. Any other use of this pistol is prohibited by Reichlaw and is punishable by death or Permanent Vacation.

SAFETY GUIDELINES

The Schmeisser Radium Pistol fires a bolt of energy that explodes on impact with great destructive power. Users of this weapon are cautioned to handle it with extreme care, especially within range of Nazi Party Members in good standing.

Each pistol contains a shielded radium power supply guaranteed for 50,000 trouble-free and lethal shots. Follow these precautions to avoid possible exposure to excessive radium energy:

- * **Do not attempt to open power supply** since exposure to charged radium can be dangerous.
- * **Do not operate the pistol** if it becomes damaged. Damaged pistols can explode.

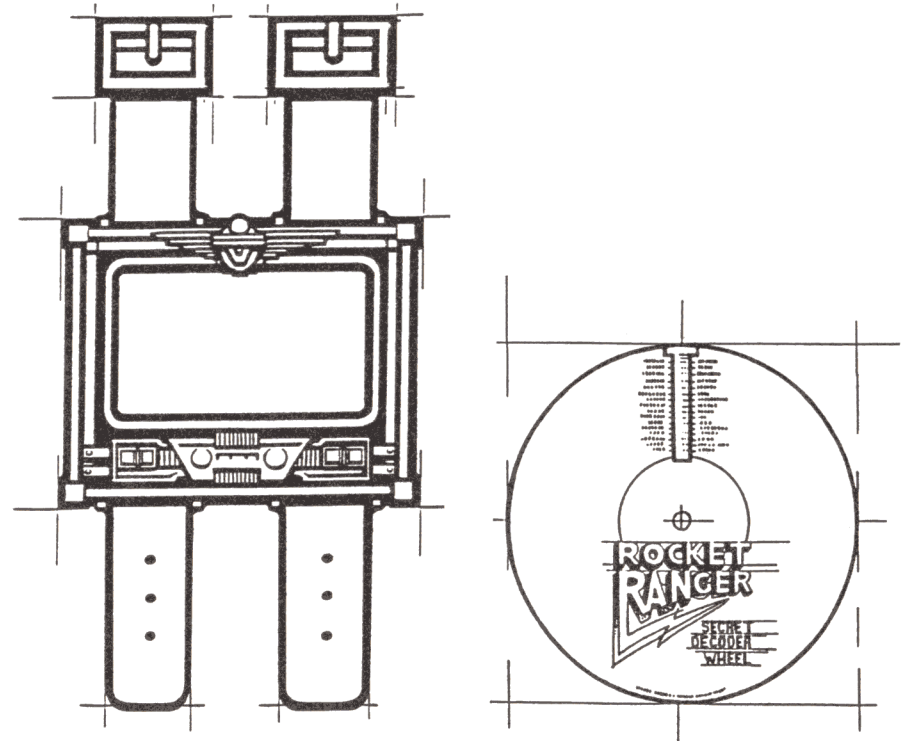


SCHMEISSER
RADIUM PISTOL

TELEFUNKEN WRIST MONITOR

AUTHORIZED USE

The Telefunken Wrist Monitor is the official portable computer of the Waffen SS, and authorized for use only by Party Members in good standing. Any other use of this device is prohibited by Reichlaw and is punishable by death. For further information you must consult the enclosed Quick Reference Card, upon penalty of death.



SECRET DECODER WHEEL

The SECRET DECODER WHEEL prevents unauthorized use of your Himmelwurfer Rocket Pack. Whenever starting a flight to a new destination, you must consult the decoder to obtain the correct access or destination code. For further information you must consult the enclosed Quick Reference Card, upon penalty of death.

THE ROCKET SUIT SERIALS

BY
ERIC HOFFMAN

By 1949 the era of the Saturday matinee serial was beginning to draw to a close. Only Columbia and Republic Pictures continued to release them. In that year Republic turned to the realm of pseudo-science fiction for inspiration and released the twelve- chapter thriller, *King of the Rocketmen....*

The plot featured an unknown master criminal, Dr. Vulcan, unleashing a campaign of terror directed against the world... Opposing his nefarious plans was Jeff King (King of the Rocketmen, get it?). King was dubbed "Rocketman" by a girl reporter who saw him flying around the city in a helmeted rocket suit.

This "atomic powered" creation was a simple gadget. It consisted of a leather jacket with a set of "rocket tubes" attached to the back, a "control panel" on the front and a bullet-shaped helmet with openings for the eyes and mouth. That was it. All the hero had to do was don the rocket suit, slip on the helmet and, Voila!, instant super hero!

The series was a sensation and in 1952 when Republic sought a way to push serial sales the rocket suit was brought back, not once, but twice in both *Radar Men from the Moon* and *Zombies of the Stratosphere*.

Radar Men from the Moon introduced a new, fantastic hero, Commando Cody, sub-billed as "The Sky Marshal of the Universe." In this serial Cody tangled with Retik, the evil ruler of the Moon. In addition to the rocket suit Cody was given an additional means of transportation, a rocket ship capable of reaching other planets. A note to film buffs: one of Retik's henchmen was played by Clayton Moore, while on strike from *The Lone Ranger* over a salary dispute.

Right on the heels of *Radar Men from the Moon*, Republic released *Zombies of the Stratosphere*, which has acquired cult status due to the presence of a young actor named Leonard Nimoy, cast as a

Martian "Zombie". His mission was to detonate a super-hydrogen bomb that would blow the Earth out of its orbit. Naturally, the Martians were keen on moving Mars into the vacated area to take advantage of the superior climate.

Opposing this nefarious plan was our rocket suited hero, Larry Martin, of the Interplanetary Patrol. Judd Holdren, who had earlier starred for Columbia as *Captain Video*, portrayed Martin.

The following year, 1953, saw the rocket suit donned for the final time. In *Commando Cody, Sky Marshal of the Universe*, Republic brought back Judd Holdren to play the hero first introduced in *Radar Men from the Moon*. Not exactly a serial, this series was apparently filmed with an eye towards television sales. It consisted of twelve episodes but, unlike a serial, each episode was a complete story unto itself. Uniting the episodes was a continuing storyline which linked everything together. After a limited theatrical release, *Commando Cody, Sky Marshal of the Universe*, appeared on NBC, sponsored by General Foods.

In *Rocket Ranger* we pay tribute in some small way to *Flash Gordon*, *Buck Rogers* and *Commando Cody*, the heroes of this gone, but not forgotten, cinematic artform...the Saturday matinee serial! Fortunately for all the many loyal fans of these heroic characters, it is now possible to find their stories on home video cassettes.
