

Apple II

PROFILE™ Owner's Manual



Customer Satisfaction

If you discover physical defects in the manuals distributed with an Apple product or in the media on which a software product is distributed, Apple will replace the documentation or media at no charge to you during the 90-day period after you purchased the product.

In addition, if Apple releases a corrective update to a software product during the 90-day period after you purchased the software, Apple will replace the applicable diskettes and documentation with the revised version at no charge to you during the six months after the date of purchase.

In some countries the replacement period may be different; check with your authorized Apple dealer. Return any item to be replaced with proof of purchase to Apple or an authorized Apple dealer.

Limitation on Warranties and Liability

Even though Apple has tested the software described in this manual and reviewed its contents, neither Apple nor its software suppliers make any warranty or representation, either express or implied, with respect to this manual or to the software described in this manual, their quality, performance, merchantability, or fitness for any particular purpose. As a result, this software and manual are sold "as is", and you the purchaser are assuming the entire risk as to their quality and performance. In no event will Apple or its software suppliers be liable for direct, indirect, incidental, or consequential damages resulting from any defect in the software or manual, even if they have been advised of the possibility of such damages. In particular, they shall have no liability for any programs or data stored in or used with Apple products, including the costs of recovering or reproducing these programs or data. Some states do not allow the exclusion or limitation of implied warranties or liability for incidental or consequential damages, so the above limitation or exclusion may not apply to you.

Copyright

This manual and the software (computer programs) described in it are copyrighted by Apple or by Apple's software suppliers, with all rights reserved. Under the copyright laws, this manual or the programs may not be copied, in whole or part, without the written consent of Apple, except in the normal use of the software or to make a backup copy. This exception does not allow copies to be made for others, whether or not sold, but all of the material purchased (with all backup copies) may be sold, given or loaned to another person. Under the law, copying includes translating into another language.

You may use the software on any computer owned by you but extra copies cannot be made for this purpose. For some products, a multi-use license may be purchased to allow the software to be used on more than one computer owned by the purchaser, including a shared-disk system. (Contact your authorized Apple dealer for information on multi-use licenses.)

Product Revisions

Apple cannot guarantee that you will receive notice of a revision to the software described in this manual, even if you have returned a registration card received with the product. You should periodically check with your authorized Apple Dealer.

© 1983 Apple Computer, Inc.
20525 Mariani Avenue
Cupertino, California 95014

Apple and the Apple logo are registered trademarks of Apple Computer, Inc.

Simultaneously published in the U.S.A. and Canada. All rights reserved.

Written by Raoul Reed of the Apple MSD Publications Department.

Warning

This equipment has been certified to comply with the limits for a Class B computing device, pursuant to Subpart J of Part 15 of FCC Rules. Only peripherals (computer input/output devices, terminals, printer, etc.) certified to comply with the Class B limits may be attached to this computer. Operation with non-certified peripherals is likely to result in interference to radio and TV reception.

Apple II

ProFile™ Owner's Manual



Radio and Television Interference

The equipment described in this manual generates and uses radio frequency energy. If it is not installed and used properly, that is in strict accordance with our instructions, it may cause interference with radio and television reception.

This equipment has been tested and complies with the limits for a Class B computing device in accordance with the specifications in Subpart J, of Part 15, of FCC rules. These rules are designed to provide reasonable protection against such interference in a residential installation. However, there is no guarantee that the interference will not occur in a particular installation, especially if a "rabbit ear" TV antenna is used. (A "rabbit ear" antenna is the telescoping rod type usually contained on TV receivers.)

You can determine whether your computer is causing interference by turning it off. If the interference stops, it was probably caused by the computer or its peripheral devices. To further isolate the problem:

- Disconnect the peripheral devices and their I/O cables one at a time. If the interference stops, it is caused by either the peripheral device or its I/O cable. These devices usually require shielded I/O cables. For Apple peripherals, you can obtain the proper shielded cable from your dealer. For non-Apple peripheral devices, contact the manufacturer or dealer for assistance.

If your computer does cause interference to radio or television reception, you can try to correct the interference by using one or more of the following measures:

- Turn the TV or radio antenna until the interference stops.
- Move the computer to one side or the other of the TV or radio.
- Move the computer farther away from the TV or radio.
- Plug the computer into an outlet that is on a different circuit from the TV or radio. (That is, make certain the computer and the TV or radio are on circuits controlled by different circuit breakers or fuses.)
- Consider installing a rooftop television antenna with coaxial cable lead-in between the antenna and TV.

If necessary, you should consult your dealer or an experienced radio/television technician for additional suggestions. You may find helpful the following booklet, prepared by the Federal Communications Commission:

"How to Identify and Resolve Radio-TV Interference Problems"

This booklet is available from the U.S. Government Printing Office, Washington, DC 20402, Stock number 004-000-00345-4.

Table of Contents

	Preface	v
	Introduction	1
1	1 Getting Familiar 2 Unpacking Your Drive 3 Other Equipment You Will Need	
	Preparing for Installation	5
2	5 Turning On Your ProFile for the First Time 6 Getting Your Computer Ready	
	Installing Your ProFile	7
3	7 What You Will Need 9 Connecting the Internal Cable 9 Apple IIe—Internal Cable Connection 10 Apple II or Apple II Plus—Internal Cable Connection 12 Installing the Interface Card 14 Connecting the Interface Cable 16 Connecting the Power Cable	
	Preparing to Use Your ProFile	17
4	17 Turning On and Checking Out Your ProFile 19 Turning Off Your ProFile 20 Operating Your Drive 20 Backing Up Your ProFile Files 21 Caring for Your Drive 21 If Your Drive Doesn't Work	

Operating Environment

23

- 23 Operating System
- 23 Using ProDOS
- 24 Transferring ProDOS to your ProFile
- 26 Starting Up From the ProFile

Index

27

Figures and Tables

- 1 Figure 1-1. ProFile Disk Drive
- 8 Figure 3-1. What You'll Need to Connect your ProFile to an Apple IIe
- 8 Figure 3-2. What You'll Need to Connect the ProFile to an Apple II or Apple II Plus
- 9 Figure 3-3. Removing the Cover Plate from an Apple IIe
- 10 Figure 3-4. Installing the Internal Cable on an Apple IIe
- 11 Figure 3-5. Fastening the Connector to Clamp Part B
- 11 Figure 3-6. Assembling the Two-part Retaining Clamp
- 11 Figure 3-7. Installing the Retaining Clamp Assembly on an Apple II or Apple II Plus
- 13 Figure 3-8. Installing the Interface Card in an Apple IIe
- 13 Figure 3-9. Installing the Interface Card in an Apple II or an Apple II Plus
- 14 Figure 3-10. Connecting the Interface Cable to Your Apple IIe
- 15 Figure 3-11. Connecting the Interface Cable to Your Apple II or Apple II Plus
- 15 Figure 3-12. Connecting the Cables to Your ProFile
- 18 Figure 4-1. ProDOS User's Disk Main Menu

Preface

Your ProFile disk drive is a valuable addition to your computer. It is extremely reliable, quiet, and very easy to use. This manual explains how to unpack, install, operate, and care for your ProFile drive.

Before reading this manual or attempting to use your ProFile, you should first read the manuals that accompanied your computer and become familiar with the operation of the computer.

Chapter 1 introduces you to the drive and explains how to unpack it.

Chapter 2 tells how to turn on your ProFile for the first time before you connect it to your computer. This chapter also describes how to get your computer ready for the installation of the ProFile.

Chapter 3 gives step-by-step instructions for connecting your ProFile to any of the computers in the Apple II family including the Apple II, the Apple II Plus, and the Apple IIe.

Chapter 4 prepares you to use your ProFile now that it is connected to your computing system. You should pay particular attention to the paragraph in this chapter entitled "Turning On and Checking Out Your ProFile". Chapter 4 also gives important information on the care and handling of your drive, and provides instructions for backing up your ProFile files.

Chapter 5 describes the relationship between the ProFile and its disk operating system.

Throughout this manual you will see two visual aids that are used to point out paragraphs of special interest.

Gray boxes contain especially useful or interesting information.



Warning

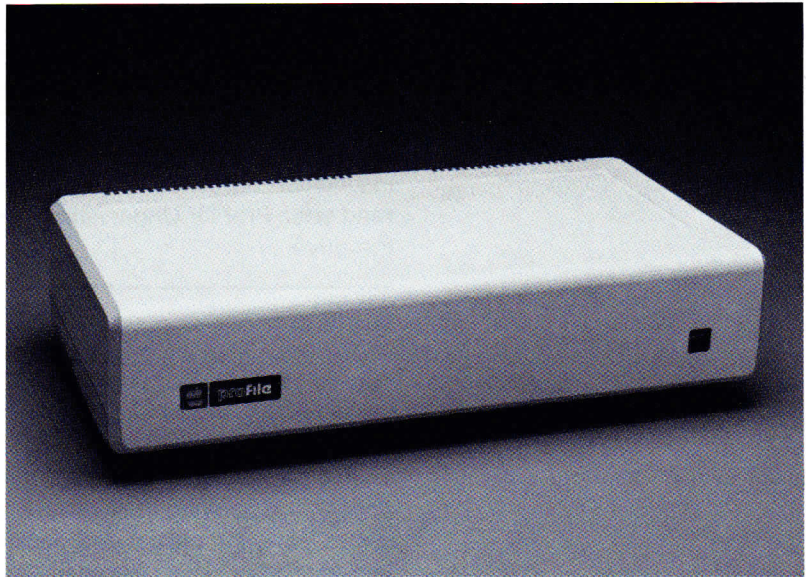
boxes indicate potential problems or hazards.

Introduction

Getting Familiar

Your new ProFile disk storage system (Figure 1-1) is a highly reliable mass storage system that will increase the overall capabilities of your computer.

Figure 1-1. ProFile Disk Drive



The ProFile disk storage system consists of a fixed-media, random-access, 5-1/4 inch disk drive packaged in a lightweight, compact cabinet, an interface card that you must install in your computer, an interface cable, and a power cable. ProFile is a Winchester-type device, meaning that the read/write heads, the disks, and the actuator mechanism are all enclosed in a sealed, protective, non-removable housing. Your ProFile drive is portable. If you handle your ProFile with care, you can easily move it from one location to another.

A **flexible** disk is commonly referred to as a "floppy" disk.

ProFile differs from a **flexible** ("floppy") disk drive in that the ProFile media consists of rigid disks rather than floppy disks. Since the ProFile disks are protected by a sealed housing, they cannot be removed or interchanged and therefore cannot be damaged or lost as floppy disks can.

The main advantages ProFile has over a floppy disk drive are:

- Much greater data storage capacity (It takes about 35 floppy disks to store the same amount of data as a 5 megabyte rigid disk, and proportionally more if your rigid disk has a larger storage capacity).
- Higher reliability.
- Improved performance.

Unpacking Your Drive

Your ProFile drive is packed in two shipping cartons. The larger of the two cartons contains your ProFile disk drive, a power cord, and unpacking instructions. The smaller, rectangular shaped carton is your ProFile accessory kit. It contains your manuals, supporting software, an interface card, an interface cable, installation hardware, and some important documents. Be sure to read your ProFile Unpacking Instruction sheet before you unpack the drive.

Warning

Your ProFile drive is a delicate instrument. Be very careful when you remove it from the shipping carton. Extensive damage may result if the unit is accidentally jarred, bumped, dropped, or handled roughly.

Follow the unpacking instructions and as you unpack the drive, check your packing list to make sure you have received all items listed. Save the carton and packing material in case you wish to transport your drive. Remember, if you attempt to transport the drive without proper packing, serious damage may result.

Boot is a jargon term for startup. It means to start up a computer or program to get the system running.

Other Equipment You Will Need

In addition to your computer and ProFile drive, you should have at least one Apple flexible disk drive such as a Disk II. This drive is usually referred to as the "startup" or **boot** drive. It is used to load disks containing application programs and data that the computer needs to use a specific language and to communicate with an attached peripheral device such as the ProFile. The disks that contain these programs are called "program" disks.

Preparing For Installation

Turning On Your ProFile for the First Time

Now that your drive is unpacked, you are probably getting anxious to use it. However, before you remove the protective foam end caps and connect the drive to your computer, you should turn on your drive for the first time to make sure that it starts up properly. Do this as follows:

1. Turn OFF the power switch on the back of the ProFile.

Warning

THIS EQUIPMENT IS INTENDED TO BE ELECTRICALLY GROUNDED.

This product is equipped with a three-wire grounding type plug, a plug having a third (grounding) pin. This plug will only fit into a grounding-type AC outlet. This is a safety feature. If you are unable to insert the plug into the outlet, contact a licensed electrician to replace the outlet and, if necessary, install a grounding conductor.

DO NOT DEFEAT THE PURPOSE OF THE GROUNDING TYPE PLUG.

2. Plug the power cord into the recessed 3-pin connector on the back of the ProFile.
3. Plug the other end of the power cord into a wall outlet.
4. Turn ON the power switch on the back of the ProFile.

Notice that the red READY light on the front panel comes on for an instant and then goes out for a few seconds while the drive comes up to operating speed. Then the light starts to flash while the drive runs some internal tests on its disks. After that, the light comes on and stays on continuously to indicate that the startup operation is complete and the drive is ready for operation.

Failure of the READY light to stay on after the startup operation indicates a possible drive malfunction. If this condition occurs, turn off your ProFile and contact your dealer for service.

If the READY light stays on, you are ready to connect your drive to the computer. First turn OFF your ProFile and unplug its power cord. Next, remove the foam end caps and place your drive on top of your computer or on a desk top nearby.

Warning

Never, under any circumstances, place the ProFile on a thick carpet or any other surface that might obstruct the air vents on the bottom of the unit.

Getting Your Computer Ready

1. Turn OFF the power switch on the rear of your computer and any other attached peripheral devices.
-

Warning

If you try to connect or disconnect anything inside of your computer when power is on, you are likely to damage the circuits and lose any information stored in random access memory (RAM).

2. Pull up on the back corners of the computer's cover until the corner fasteners pop apart. Carefully remove the cover and set it aside.
3. Look inside your computer and locate the power supply—the rectangular metal box along the left side. Touch the power supply case with one hand to discharge any static charge that may be on your clothes or body.

Now you are ready to go to Chapter 3 to learn how to install the ProFile on your computer.

Installing Your ProFile

What You Will Need

Warning

Electrical equipment can be hazardous if misused. Operation of this or similar products must always be supervised by an adult. The installation of products, including peripheral and interface devices must be performed by an adult. Do not allow children access to the interior of any electrical product or to handle power or I/O cables.

You may connect your ProFile to any of the computers in the Apple II family. However, the installation procedure will differ slightly depending on whether your computer is an Apple IIe, an Apple II, or an Apple II Plus.

Figure 3-1 shows the items that you'll need to install your ProFile on an Apple IIe; Figure 3-2 shows the items that you'll need to install your ProFile on an Apple II or an Apple II Plus. Disregard those items that are not required for your installation.

Figure 3-1. What You'll Need to Connect your ProFile to an Apple IIe

- Interface Cable
- Interface Card
- Internal Cable
- Flat Blade Screwdriver (not supplied)
- Wrench
- Jack Screws

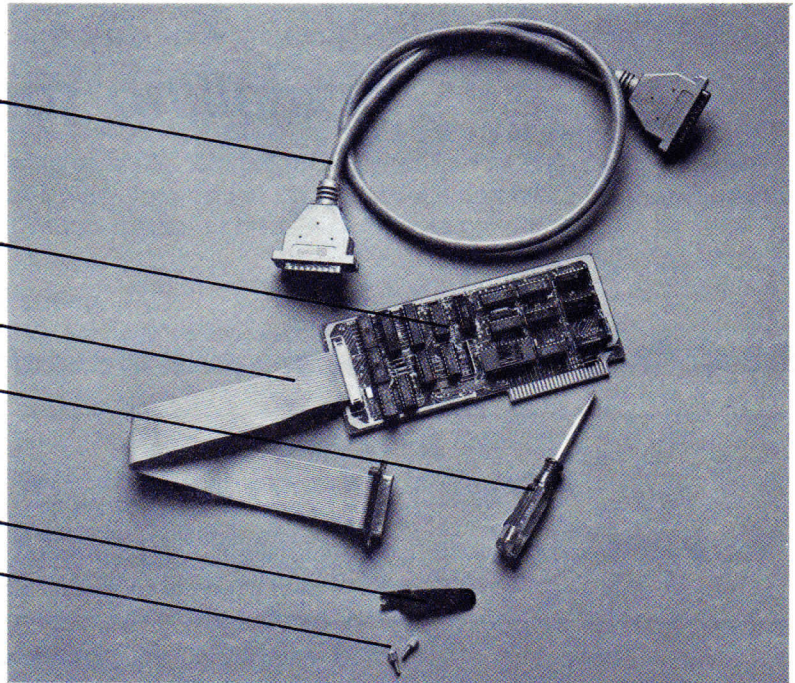
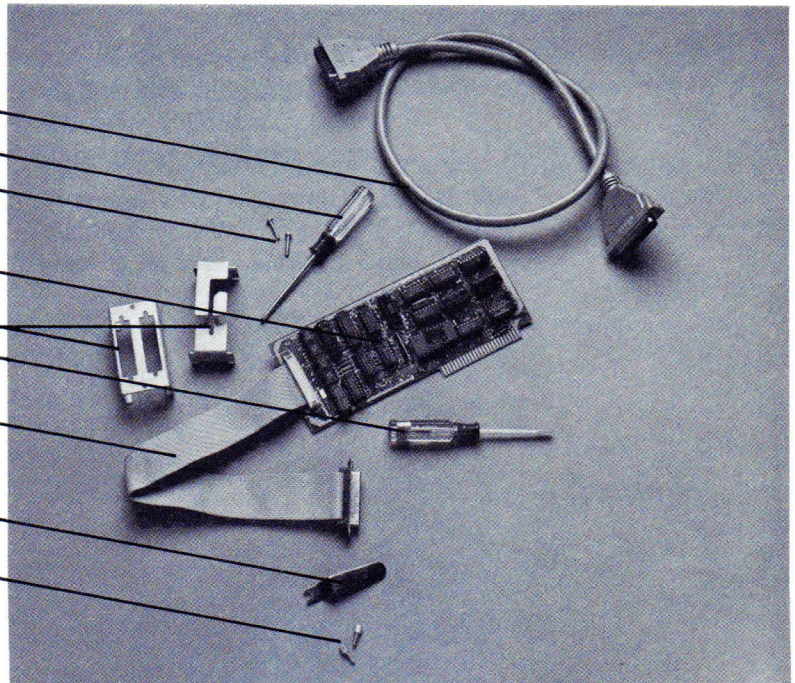


Figure 3-2. What You'll Need to Connect Your ProFile to an Apple II or an Apple II Plus

- Interface Cable
- Phillips Screwdriver (not supplied)
- Phillips Screws
- Interface Card
- Two-Part Retaining Clamp
- Flat Blade Screwdriver (not supplied)
- Internal Cable
- Wrench
- Jack Screws



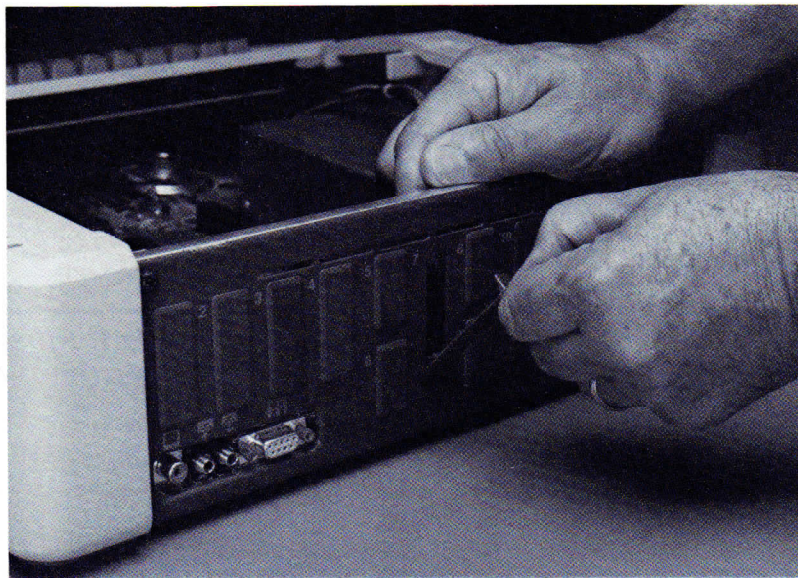
Connecting the Internal Cable

A ribbon-type cable with a D-shaped, metal connector is permanently attached to your interface card. This section describes how to connect this cable to the inside, back of your Apple computer. It assumes that you have already removed the cover and prepared your computer for installation as described in Chapter 2. Follow the directions only in the paragraph that pertains to your computer.

Apple IIe—Internal Cable Connection

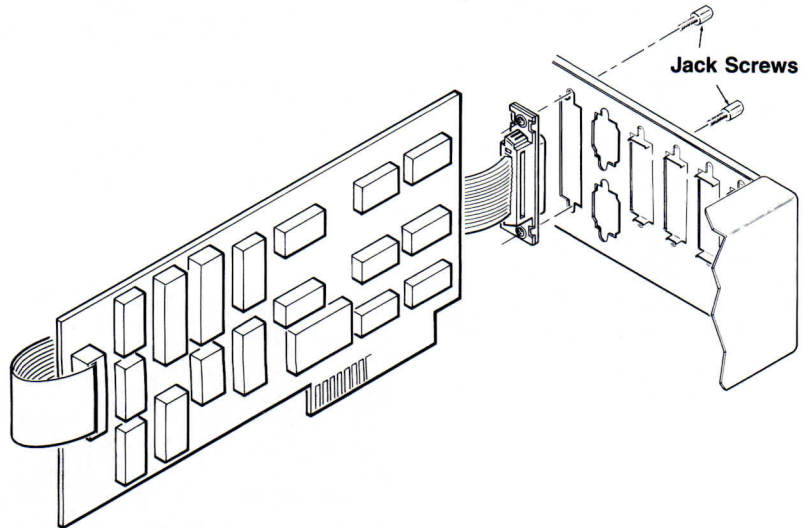
1. Notice that protective, plastic plates cover the openings in the back panel of your computer. Remove the cover plate from opening #7 by reaching inside the computer and pushing down and out on the plastic tab on the top of the plate (see Figure 3-3).

Figure 3-3. Removing the Cover Plate from an Apple IIe



2. Arrange the interface card, its cable, and two jack screws as shown in Figure 3-4. Make sure that the cable is not twisted.
3. Hold the cable's D-shaped connector against the opening in the back of the computer. Feed the two jack screws through the holes above and below the opening and into the nuts mounted on the connector as shown in Figure 3-4. Use your small wrench to tighten the screws.

Figure 3-4. Installing the Internal Cable on an Apple IIe



Apple II or Apple II Plus— Internal Cable Connection

1. Arrange the interface card, its cable, part B of the two-part retaining clamp, and the two jack screws as shown in Figure 3-5. Make sure that the cable is not twisted.
2. Using the two jack screws and the small wrench, fasten the cable's D-shaped connector to either opening in retaining clamp part B. See Figure 3-5.
3. Feed the cable into retaining clamp part A, making sure that the word TOP on part A is facing up, and then slide the two parts of the clamp together. See Figure 3-6.
4. Insert the Phillips screws into the clamp's lined up screw holes; give the screws a few turns but don't tighten them yet.

Figure 3-5. Fastening the Connector to Clamp Part B

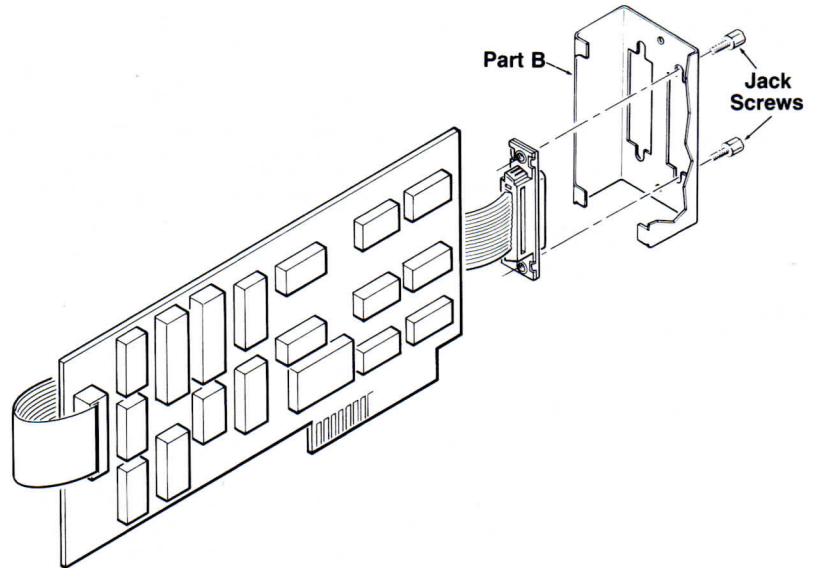
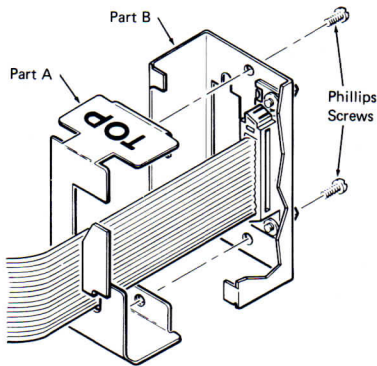
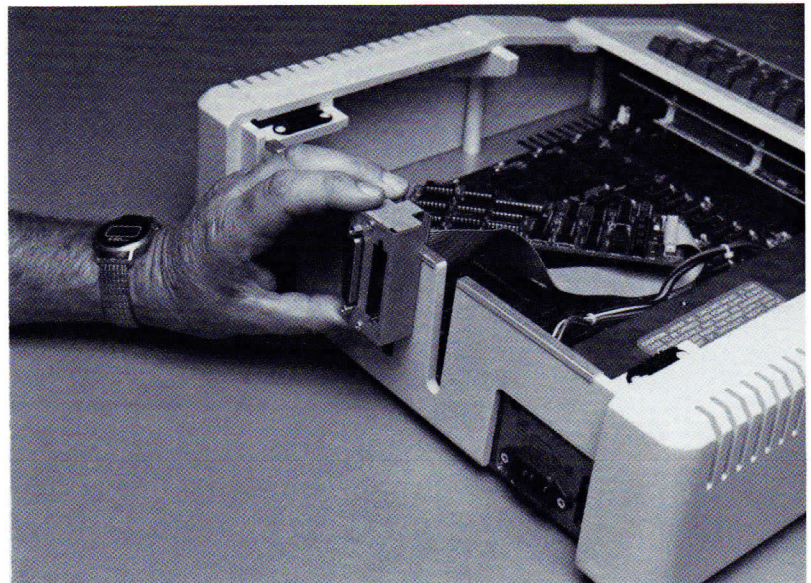


Figure 3-6. Assembling the Two-part Retaining Clamp



5. Locate the three deep notches on the back of the computer's case. Slide the clamp assembly as far down as possible into one of the vertical notches as shown in Figure 3-7. Make sure that the label **TOP** is facing up.
6. Using a small small Phillips screwdriver, tighten the two screws on the retaining clamp assembly until it is secured to the back of your computer.

Figure 3-7. Installing the Retaining Clamp Assembly on an Apple II or Apple II Plus



Installing the Interface Card

Warning

In the following steps you will handle the ProFile interface card. Handle it with care. Grasp it by the corners or edges, and try not to touch the delicate components. Above all, don't grasp the card by the gold "fingers" on its bottom edge connector—they are the medium through which the computer communicates to the card and their efficiency decreases if they are dirty or scratched.

1. Locate the peripheral card connectors (usually referred to as slots) across the rear of the computer's main circuit board. Each slot is identified by a number on the circuit board.

This manual has been written assuming that you will install your ProFile interface card in slot 5. Keep this in mind if you plan on choosing a different slot.

2. Hold your interface card over slot 5 so that the side of the card with the capacitors, resistors, and integrated circuits is facing away from the power supply as shown in Figures 3-8 (Apple IIe) and 3-9 (Apple II or Apple II Plus). Make sure that the internal cable is routed along the solder side of the board.
3. Gently but firmly push the gold "fingers" on the card's edge connector into the desired slot (slot 5), rear edge first. Then push the front edge down, and rock the card back and forth until it is level and firmly seated.
4. Replace the cover on the computer; remember to first slide the front edge of the cover towards the keyboard and then press down on the two rear corners until they pop into place.

Figure 3-8. Installing the Interface Card in an Apple IIe

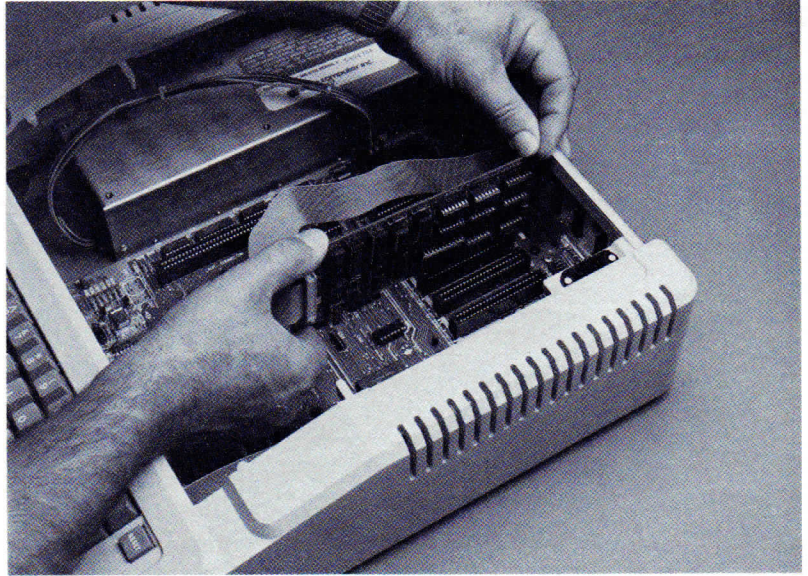
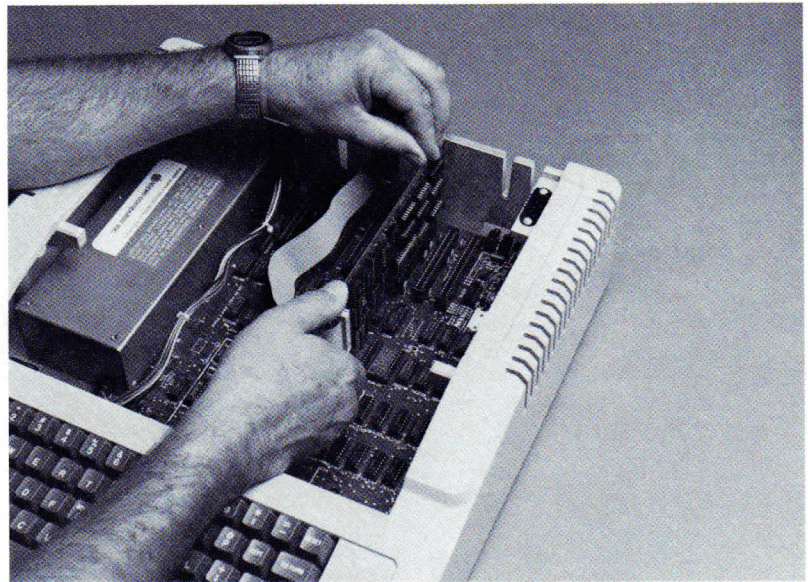


Figure 3-9. Installing the Interface Card in an Apple II or an Apple II Plus



Connecting the Interface Cable

The interface cable is a round, shielded cable with identical 25-pin, D-type connectors on each end. It is used to transfer control and data signals between the computer and the ProFile. This product was FCC certificated using a shielded interface cable. To prevent electromagnetic interference it is important that you use the shielded cable provided.

Warning

Before connecting any cables, make sure that the power switches on the back of both the computer and the ProFile are off.

1. Connect your interface cable to your computer as follows:

APPLE IIe—Plug one end of your interface cable into the D-shaped connector protruding from opening 7 in the back panel of your computer as shown in Figure 3-10.

APPLE II or APPLE II PLUS—Plug one end of your interface cable into the D-shaped connector protruding from the retaining clamp that you just installed on the back of your computer. See Figure 3-11.

2. Attach the other end of your interface cable to the D-type mating connector on the back of the ProFile. See Figure 3-12.
3. Use a flat-bladed screwdriver to tighten the retaining screws on the connectors on each end of your interface cable.

Figure 3-10. Connecting the Interface Cable to Your Apple IIe

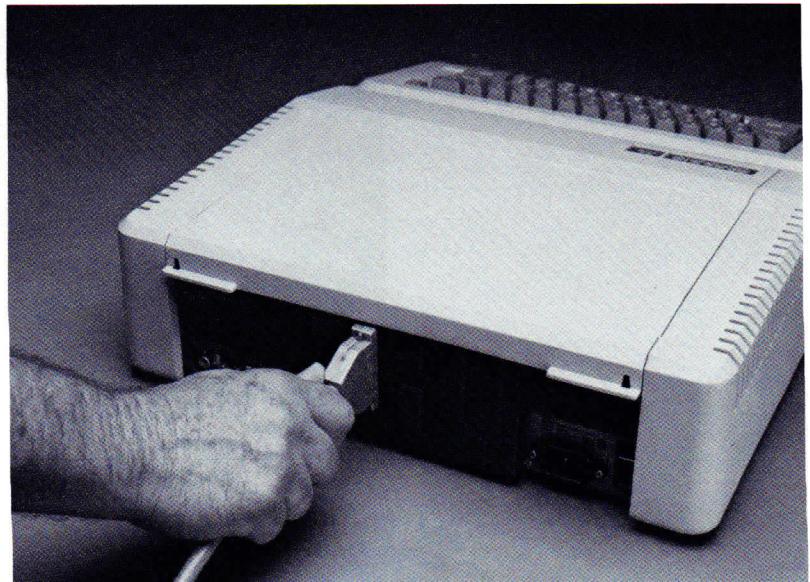


Figure 3-11. Connecting the Interface Cable to Your Apple II or Apple II Plus

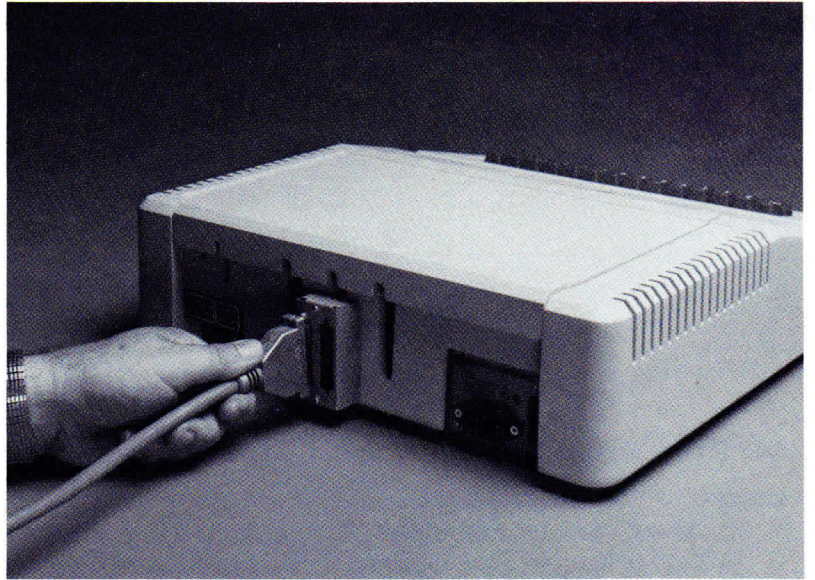
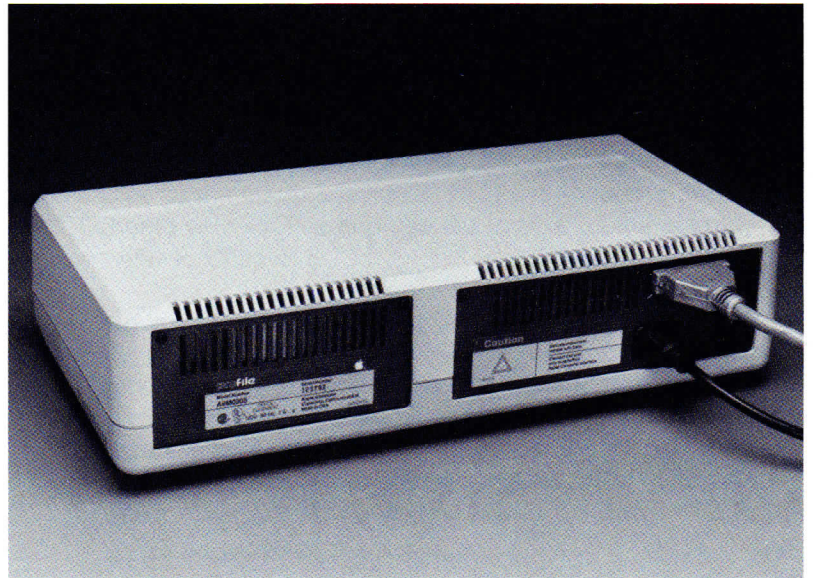


Figure 3-12. Connecting the Cables to Your ProFile



Connecting the Power Cable

The power cable supplies AC power to your drive from an external source.

1. Plug one end of the power cord into the recessed 3-pin power connector on the back of the ProFile. See Figure 3-12.
2. Plug the other end of the power cord into a wall outlet.

You are now ready to go to Chapter 4 to learn how to turn on, checkout, and operate your system.

Preparing to Use Your ProFile

Turning On and Checking Out Your ProFile

You can verify that your ProFile is correctly installed and is ready for operation by first loading the Professional Disk Operating System (ProDOS) into your computer and then using the CAT (catalog) command to look at the volume directory of the ProFile. You can start your system with the ProDOS User's Disk in your Disk II (or equivalent) drive, or you can start up your system directly from the ProFile. However, before you can start up from the ProFile, you must first copy the files from the proDOS User's Disk onto your ProFile .

The method described in the following steps uses the ProDOS User's Disk as the startup device. If you want to learn how to copy ProDOS onto your ProFile and use the ProFile as the startup device, refer to Chapter 5.

Check out your ProFile as follows:

1. Reach around to the back of the ProFile and turn on the power switch. After your ProFile comes up to operating speed and completes its internal test sequence, the READY light will remain on continuously to indicate that your ProFile is ready for use.
2. Insert the ProDOS User's Disk into your Disk II drive.
3. Turn on your video monitor (or television set).
4. Turn on the power switch on the back of your computer. You will hear the whirring sound of the disk drive as it loads ProDOS into your computer.

5. When the startup operation is completed, the drive will stop running and the screen will display the ProDOS User's Disk main menu (Figure 4-1).

Figure 4-1. ProDOS User's Disk Main Menu

```
*****
*                                     *
*          PRODOS USER'S DISK        *
*                                     *
*  COPYRIGHT APPLE COMPUTER, INC. 1983  *
*                                     *
*****

YOUR OPTIONS ARE:

    ? - TUTOR: PRODOS EXPLANATION
    F - PRODOS FILER (UTILITIES)
    C - DDS <-> PRODOS CONVERSION
    S - DISPLAY SLOT ASSIGNMENTS
    T - DISPLAY/SET TIME
    B - APPLESOFT BASIC

PLEASE SELECT ONE OF THE ABOVE ■
```

Warning

The following step explains how to format your ProFile. Formatting prepares your ProFile to receive information but it also removes all data previously stored on it. If you have just installed your ProFile and are checking it out for the first time, you should first format your ProFile as explained in step 6. However, if you have already been using your ProFile to store data, and do not want to lose this data, skip step 6, items a through h, and go directly to step 7.

6. To format your ProFile, follow steps a through h.
 - a. Type **F** (for ProDOS Filer) and the screen will display the ProDOS System Utilities Filer menu.
 - b. Type **V** (for Volume Commands) and the screen will display the Volume Commands menu.
 - c. Type **F** (for Format a Volume) and the screen will display a message asking you to type in a slot number.
 - d. Type **5** to indicate that your ProFile interface card is installed in slot 5 of your computer. Another message on the screen will ask you for a new volume name.
 - e. To assign your ProFile a volume name, type /ProFile and press **RETURN**.

At this point you will see a message such as DESTROY "/PROFILE"?(Y/N) and another message that says WARNING: YOU ARE ABOUT TO FORMAT A LARGE DISK.

- f. If you still want to format your ProFile, type Y (for yes). After a few seconds, the message "FORMAT COMPLETE" will be displayed to indicate that the format operation was successful.
 - g. Press **ESC** twice to return to the ProDOS System Utilities Filer menu.
 - h. Type **Q** (for Quit) and press **RETURN**. The screen will again display the ProDOS User's Disk main menu.
7. Type **B** (for Applesoft BASIC).
 8. Now you can use the CAT command to display the **directory** of your ProFile. To do this, type

CAT/PROFILE

The ProFile's READY light will flash rapidly and the screen will display the volume directory of your ProFile. This proves that the ProFile is communicating with the computer and is ready for operation.

The READY light flashes rapidly to show activity whenever the drive communicates with the computer.

Turning Off Your ProFile

As a general rule, you should keep your ProFile on continuously unless there are long periods of time in which you do not intend to use it. When you do turn off your ProFile, observe the following precautions.

- Do not turn off your ProFile while it is active (READY light flashing). If you do, the read/write heads will return to their home position outside of the data area, but data will be lost if a write operation was in progress.
- When the ProFile is no longer active, make sure that the READY light remains on continuously for at least 4 seconds before you turn off power.

directory is a list that contains the names and locations of all files that are stored on the disk. The main directory of your ProFile is called the volume directory. It is identified by the name assigned to the volume, in this case /PROFILE. A directory is sometimes called a catalog.

Operating Your Drive

With the exception of the AC power switch, the ProFile drive contains no operating controls. After initial power up, all drive operations are controlled by the computer. Programs that keep track of files, save information, and retrieve information are part of the computer's disk operating system. The few special commands required to use the drive and manipulate files are described in reference manuals for the product or programming language you are using. You can learn all about your disk operating system by first referring to Chapter 5 of this manual and then reading the applicable ProDOS or Pascal manuals.

Backing Up Your ProFile Files

Backing up is the process of copying your ProFile files onto one or more flexible disks. A special program called Backup II will allow you to do this. This program is extremely useful when you are using the ProFile as your primary source of data storage and an Apple flexible disk drive, such as a Disk II, as your backup device.

The Backup II program provides two major functions, backing up and restoring files. Backing up is the process of saving a file's information so that you can retrieve it if the original file is lost or damaged. Restoring is the process of retrieving information from the backup and putting it in a file.

To back up files, Backup II transfers information from the ProFile to a set of disks in the backup device. To restore files, Backup II transfers information from the set of disks to the ProFile.

Backup II does not make a carbon copy of your information. It uses its own format for the data, and this format cannot be used by other programs. You must use Backup II's restore option to recreate useable files from the backup disks.

Read your Backup II User's Manual for a complete description of the Backup II program.

Caring for Your Drive

The ProFile disk drive, unlike the computer, is a mechanical device with motors and moving parts. Therefore it is somewhat more delicate than the computer. The ProFile drive is completely aligned and tested at the factory, and with proper care and handling should provide trouble-free operation. However, rough handling, such as dropping the drive, sharply jarring it, or allowing heavy objects to fall on it, could cause a malfunction.

If Your Drive Doesn't Work

If your ProFile does not operate, re-read this manual carefully to make sure that the interface card is correctly installed in the appropriate slot in the computer (slot 5) and the cables are properly connected—this cures most problems.

This isn't likely, but if your drive received excessive rough handling during shipping or unpacking, one of the connectors inside of the ProFile cabinet may be loose. If you suspect this condition, contact your dealer—he/she will be glad to help you.

Do not attempt to open the ProFile cabinet as this could void your warranty.

Operating Environment

Operating System

Your ProFile is designed to operate with the Professional Disk Operating System (ProDOS). ProDOS is a computer program that allows you to store information on your ProFile, rearrange the information already on your ProFile, and retrieve information from your ProFile. You might think of ProDOS as your ProFile's housekeeper.

Your ProFile can also operate with the Apple II Pascal Language System, Version 1.2. If you are using Pascal applications programs or are planning to use Pascal 1.2 as your primary programming language, first read your Pascal ProFile Manager (PPM) manual and the manuals that come with your Pascal system.

Using ProDOS

The ProDOS programs are stored on your ProDOS User's Disk. You must use this disk to start up your system and load the Professional Disk Operating System into the computer. Then you can write your own BASIC programs and use the ProFile to store information. The ProDOS program is explained in the ProDOS Programming Manual.

The ProDOS Filer allows you to arrange information on your ProFile and transfer information from one ProFile to another, or from your ProFile to a flexible disk drive, or vice versa. Read your ProDOS User's Manual for a detailed description of how to use the ProDOS Filer with your ProFile.

Although your ProDOS User's Manual explains how to start up and operate your system using the ProDOS User's Disk, you may find it much more convenient and easier to start up your system and access the utilities directly from your ProFile. This eliminates having to insert and swap disks, and allows you to save your disks for back up. Before you can do this, however, you must use the ProDOS Filer's Copy Files command to transfer the files from the ProDOS User's Disk to your ProFile. This procedure is described in the next paragraph.

Transferring ProDOS To Your ProFile

To copy the files from the ProDOS User's Disk onto your ProFile, follow these steps:

What you do...	What happens...
Insert the ProDOS User's Disk into your Disk II and turn on the power switch on the back of your computer.	The system goes through its startup operation, and when it is complete, the screen displays the ProDOS User's Disk main menu (See Figure 4-1).
From the main menu, type F.	The screen displays the ProDOS Filer menu.
From the Filer menu, type F.	The screen displays the list of File commands.
From the list of File commands, type C.	The screen displays the following :

```
--COPY--
  PATHNAME : (
                                     )

  TO PATHNAME :
```

What you do...

What happens...

Type /USERS.DISK/= and press RETURN.

The screen displays the following:

```
--COPY--
  PATHNAME:  /USERS.DISK/=

      TO PATHNAME: (
      )
```

Type /PROFILE/= and press RETURN.

The screen displays the following:

```
--COPY--
  PATHNAME:  /USERS.DISK/=

      TO PATHNAME:  /PROFILE/=
```

```
--INSERT DISKS AND PRESS <RET>--
```

Since your ProDOS User's Disk is already in the drive, all you have to do is press RETURN.

The screen prompts you as each file on your ProDOS User's Disk is transferred to your ProFile.

Starting Up From the ProFile

To use your ProFile directly with ProDOS, first make sure that your ProFile interface card is in slot #5 of the computer and that you have copied the files from your ProDOS User's Disk onto your ProFile, then follow these instructions.

These instructions assume that your system includes a flexible disk drive such as a Disk II with its controller card installed in slot #6 of your computer, and you have not inserted a disk into the drive.

What you do...	What happens...
Turn on the power switch on the back of your computer.	Notice that the flexible disk drive starts up and runs continuously.
Hold down the CONTROL key and press the RESET key.	The flexible disk drive stops and the screen displays the BASIC prompt character with its blinking cursor.
Type PR#5 and then press RETURN to start up your system.	The ProFile's READY light flashes rapidly as ProDOS is loaded into the computer. When the operation is complete, your screen displays the ProDOS User's Disk main menu (See Figure 4-1).

Index

A

advantages of ProFile 2
 assembling the retaining clamp
 10, 11

B

backing up files 20
 Backup II 20
 boot drive 3

C

card slots 12
 caring for the drive 21
 checking out the drive 17
 connecting the interface cable 14
 connecting the internal cable 9
 connecting the power cable 16

D

directory 19
 Disk II 3, 17, 24
 drive configuration 1
 drive problems 21
 D-type connector 9, 10, 14

E

F

flexible disk 2
 floppy disk 2
 formatting ProFile 18

G, H

I

installing the interface card 12
 interface cable 14
 interface card 1, 10, 12, 13

internal cable 9, 10

J, K & L

M

main menu 18

N

O

operating environment 23
 operating ProFile 20
 operating systems 23
 other equipment 3

P

Pascal ProFile Manager 23
 Pascal reference 23
 peripheral card connectors 12
 power cable 16
 ProDOS User's Disk 17
 ProDOS User's Manual 23
 program disks 3
 protective cover plates 9

Q

R

READY indicator 5, 17, 19
 removing the computer's cover
 replacing the computer's cover
 12
 restoring files 20

S

starting up from ProFile 26
 startup drive 17
 startup operation 17, 18
 storage capacity 2

T

two-part retaining clamp 8, 10,
11

transferring ProDOS to ProFile
24, 25

turning on ProFile 17

turning off ProFile 19

U

unpacking 2

V

W

Winchester, definition 1

X

Y

Z





20525 Mariani Avenue
Cupertino, California 95014
(408) 996-1010
TLX 171-576

030-0466-A